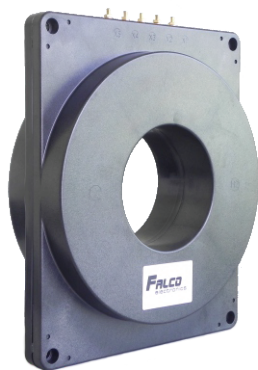


INSTRUMENT CURRENT TRANSFORMER



5.70" Internal Diameter, Multi-Ratio
Width 3.94"



- Application - Relay and Metering
- Frequency 50 - 400hz
- AC capability 600 - 4000 Amperes
- Insulation Class 0.6kV, 10kV BIL full wave
- Excitation curves upon request
- Secondary terminals are brass screws No. 10-32 with one flatwasher, lockwasher, accessible from either side
- Approximate weight 60 lbs
- UL and cUL Certified per ANSI/IEEE C57.13 standard

C US E469271

ELECTRICAL SPECIFICATIONS

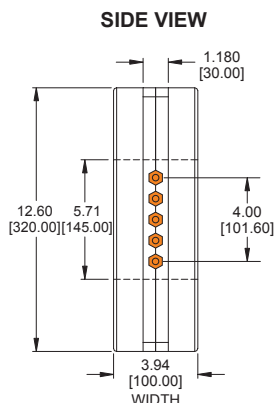
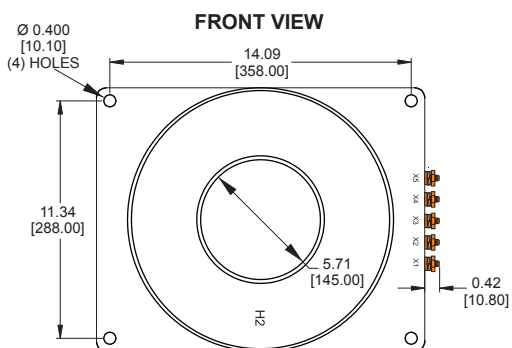
CATALOG NUMBER	CURRENT RATIO (A), (X1-X5)	RELAY CLASS	ANSI METERING CLASS AT 60HZ (X1-X5)					SECONDARY WINDING RESISTANCE (OHMS @75C), (X1-X5)	CURRENT RATING FACTOR @30C
			B0.1	B0.2	B0.5	B0.9	B1.8		
ICT11A06	600:5	C100	0.3	0.3	0.3	0.3		0.16	2.0
ICT11A20	800:5	N/A	0.3	0.3	0.3	0.3		0.22	2.0
ICT11A05	1200:5	C200	0.3	0.3	0.3	0.3	0.3	0.43	2.0
ICT11A16	1200:5	N/A	0.3	0.3	0.3	0.3	0.3	0.51	2.0
ICT11A15	1600:5	C400	0.3	0.3	0.3	0.3	0.3	0.66	2.0
ICT11A10	2000:5	C400	0.3	0.3	0.3	0.3	0.3	0.72	2.0
ICT11A03	2000:5	C400	0.3	0.3	0.3	0.3	0.3	0.73	2.0
ICT11A02	3000:5	C400	0.3	0.3	0.3	0.3	0.3	1.22	1.3

CATALOG NUMBER	CURRENT RATIO (A), (X1-X5)	RELAY CLASS	ANSI METERING CLASS AT 60HZ (X1-X5)					SECONDARY WINDING RESISTANCE (OHMS @75C), (X1-X5)	CURRENT RATING FACTOR @30C
			B0.1	B0.2	B0.5	B0.9	B1.8		
ICT11A07	600:5	C200	0.3	0.3	0.3	0.3		0.24	2.0
ICT11A01	1200:5	C400	0.3	0.3	0.3	0.3	0.3	0.63	2.0
ICT11A04	2000:5	C800	0.3	0.3	0.3	0.3	0.3	0.96	2.0
ICT11A08	3000:5	C800	0.3	0.3	0.3	0.3	0.3	1.60	1.3
ICT11A09	4000:5	C800	0.3	0.3	0.3	0.3	0.3	1.96	1.0

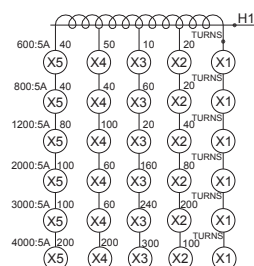
CATALOG NUMBER	CURRENT RATIO (A), (X1-X5)	RELAY CLASS	ANSI METERING CLASS AT 60HZ (X1-X5)					SECONDARY WINDING RESISTANCE (OHMS @75C), (X1-X5)	CURRENT RATING FACTOR @30C
			B0.1	B0.2	B0.5	B0.9	B1.8		
ICT11A21	1200:5	2.5L400	0.3	0.3	0.3	0.3	0.3	0.63	2.0
ICT11A17	2000:5	2.5L200	0.3	0.3	0.3	0.3	0.3	0.61	2.0

CATALOG NUMBER	CURRENT RATIO (A), (X1-X5)	RELAY CLASS	ANSI METERING CLASS AT 60HZ (X1-X5)					SECONDARY WINDING RESISTANCE (OHMS @75C), (X1-X5)	CURRENT RATING FACTOR @30C
			B0.1	B0.2	B0.5	B0.9	B1.8		
ICT11A11	1200:5	10P20 50VA	0.2	0.2	0.2	0.2		0.33	1.2
ICT11A19	1200:5	N/A	0.2	0.2	0.2	0.2		0.38	1.2
ICT11A13	1200:5	5P20 40VA	0.2	0.2	0.2	0.2	0.2	0.40	1.2
ICT11A14	1200:5	N/A	0.2	0.2	0.2	0.2	0.2	0.42	1.2
ICT11A18	1200:5	5P20 10VA	0.2	0.2	0.2	0.2	0.2	0.43	1.2
ICT11A12	2000:5	10P20 50VA	0.2	0.2	0.2	0.2	0.2	0.86	1.2

MECHANICAL SPECIFICATIONS



CONNECTION DIAGRAM



DIMENSIONS IN INCHES[MM]