

Common Mode Choke UU 15.7 mm

POWER MAGNETIC

FALCO
electronics

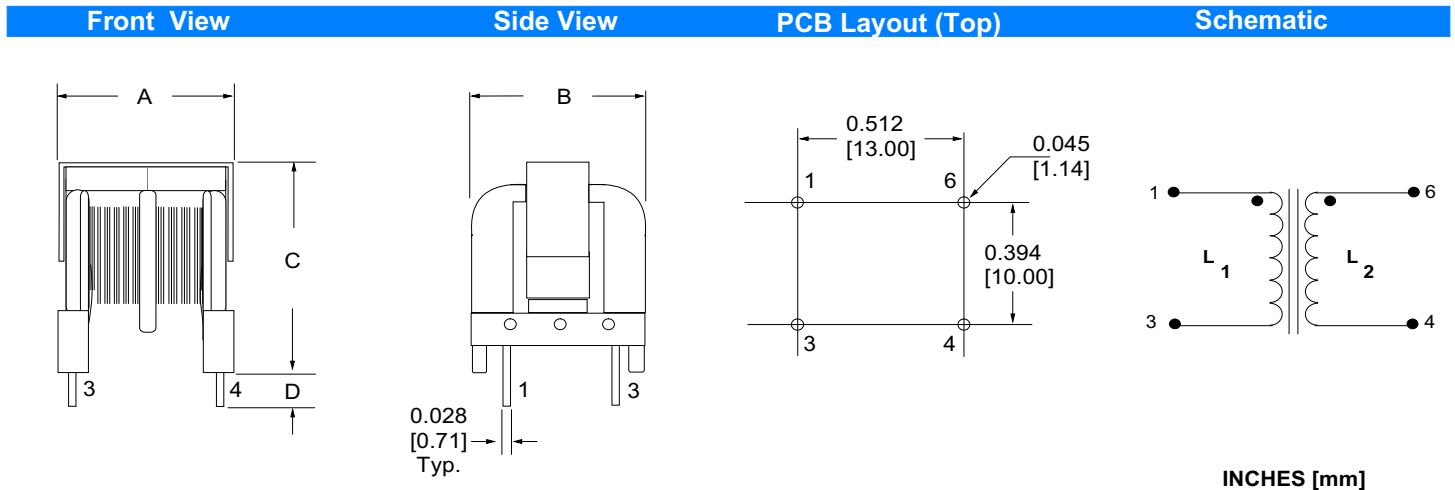
(CMU01606 Series)



MAX. DIM :
L = 22.86 mm
W = 19.05 mm
H = 27.94 mm

- Frequency range from 50 KHz to 500 KHz.
- Current ratings up to 2 Amps.
- Inductance values from 1.5 mH to 27 mH.
- High impedance and mode attenuation.
- Leakage inductance less than 10% of inductance value.
- 3 mm of creepage between windings formed by bobbin.
- Parts meet UL, IEC950 & VDE safety standard.

MECHANICAL SPECIFICATIONS



ELECTRICAL SPECIFICATIONS

FALCO PART NUMBER	L(mH) ¹ min.	Freq. (KHz)	DCR (Ω) max.	I _{rms} (Amp) ² max.	Hipot (Vrms)	A max. in / mm	B max. in / mm	C max. in / mm	D min. in / mm
U16010	1.50	1.0	0.050	1.50	1800	0.900 / 22.86	0.750 / 19.05	1.100 / 27.94	0.150 / 3.81
U16011	3.50	1.0	0.098	1.20	1800	0.900 / 22.86	0.750 / 19.05	1.100 / 27.94	0.150 / 3.81
U16012	6.00	1.0	0.158	1.00	1800	0.900 / 22.86	0.750 / 19.05	1.100 / 27.94	0.150 / 3.81
U16013	8.00	1.0	0.222	0.80	1800	0.900 / 22.86	0.750 / 19.05	1.100 / 27.94	0.150 / 3.81
U16003	10.00	1.0	0.500	0.80	1800	0.900 / 22.86	0.750 / 19.05	1.100 / 27.94	0.130 / 3.30
U16014	20.00	1.0	0.468	0.50	1800	0.900 / 22.86	0.750 / 19.05	1.100 / 27.94	0.150 / 3.81
U160A3	25.00	1.0	0.850	0.62	1800	0.866 / 21.99	0.748 / 18.99	1.100 / 27.94	0.160 / 4.06
U160B3	27.00	1.0	0.990	0.55	1500	0.900 / 22.86	0.750 / 19.05	1.100 / 27.94	0.150 / 3.81

1. Inductance tested at 0.25 V.
2. Temperature rise is 40°C Typ.
3. Operating Temp. range -40° to +105°C.
4. OCL and DCR tested at Ta=25°C.