

Power Inductor 24 mm OD Drum Core

POWER MAGNETICS

(PID02424 Series)

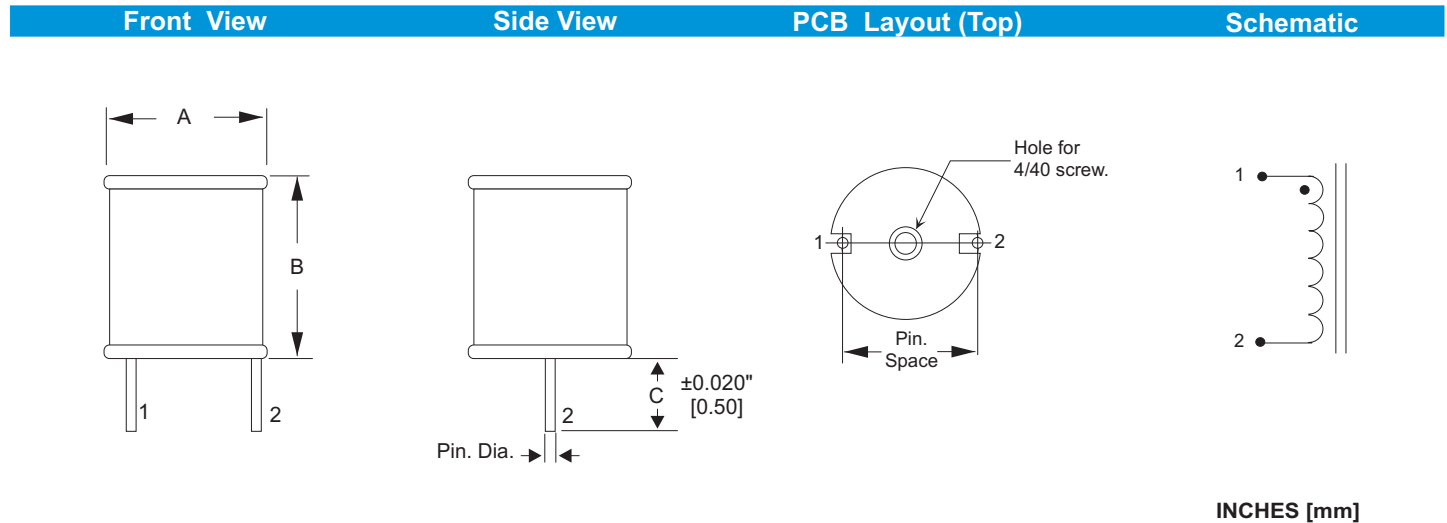
FALCO
electronics



MAX. DIM :
L = 26.67 mm
W = 26.67 mm
H = 26.67 mm

- Used as output choke in switch mode power supplies, switching regulators and audio filters.
- Handle up to 10 Amps.
- Inductance available from 5.3 μ H to 226 μ H.
- Complies with UL, CSA, IEC standards.

MECHANICAL SPECIFICATIONS



ELECTRICAL SPECIFICATIONS

| FALCO PART NUMBER | L(μ H) ¹ | TOL | Freq. (KHz) | DCR (Ω) max. | Isat (ADC) ² typ. | I _{rms} (amp) ³ max. | A max. in / mm | B max. in / mm | C nom. in / mm | Pin dia. in / mm | Pin space in / mm |
|-------------------|--------------------------|------|-------------|-----------------------|------------------------------|--|----------------|----------------|----------------|------------------|-------------------|
| D24003 | 156.0 | ±20% | 1.0 | 0.0396 | 10.80 | 9.00 | 1.050 / 26.67 | 1.050 / 26.67 | 0.140 / 3.56 | 0.051 / 1.30 | 0.750 / 19.05 |

1. Inductance tested at 0.25 V.
2. Inductance drop 10% typ. at Isat.
3. Temperature rise is 40°C Typ.
4. L and DCR tested at Ta=25°C.