

# POWER FACTOR CORRECTORS

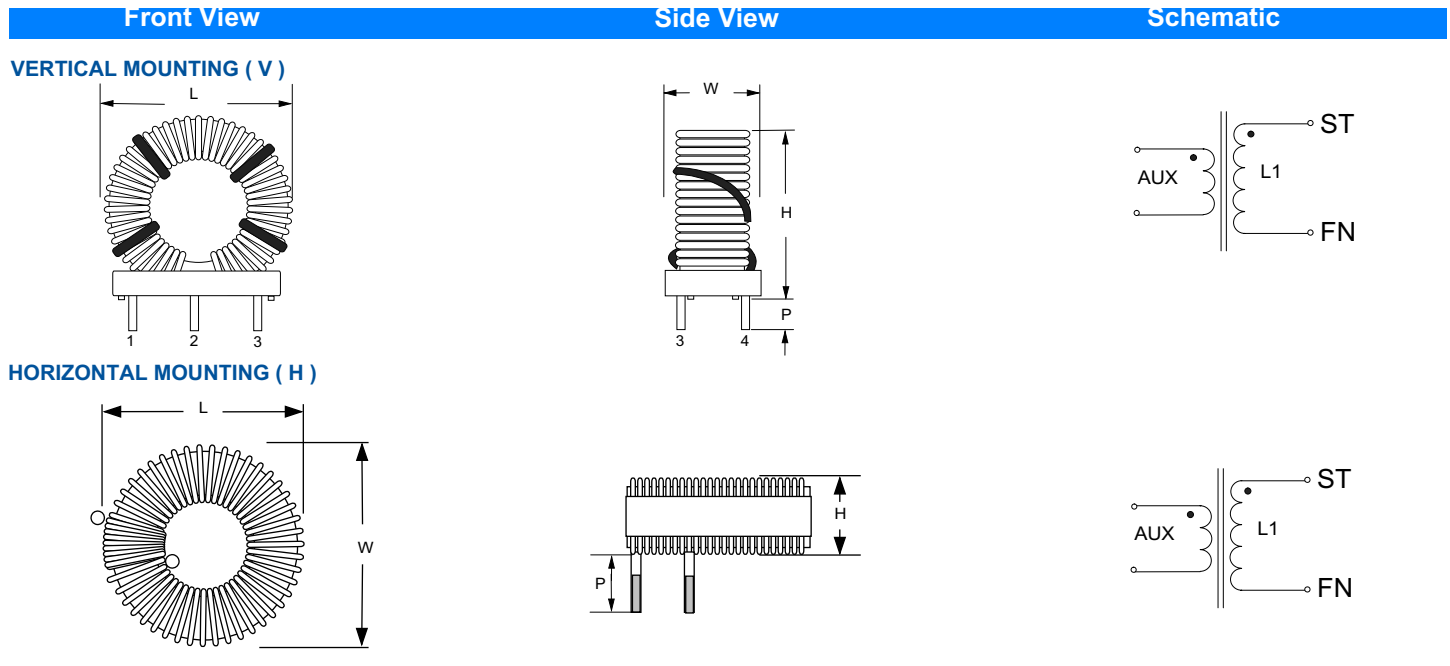
POWER MAGNETIC

## [ T18-26X2 Series ]



- Designed for use in off-line AC/DC pre-regulators circuits for switching power converters applications.
- Low cores loss and high flux density.
- Auxiliary winding optional.

### MECHANICAL SPECIFICATIONS



### ELECTRICAL SPECIFICATIONS

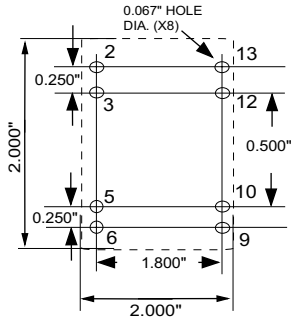
FPN	Mounting / PCB LAYOUT	L (mm) max.	W (mm) max.	H (mm) max.	Auxiliary Winding / L Ratio	DCR(m Ω) <sup>1</sup> max.	L (μH) <sup>1,2</sup>	L1 ST - FN	AUX ST - FN	I@ 80%L (A DC)	I@ 65%L (A DC)	I@ 50%L (A DC)	I@ 30%L (A DC)
T18029	V / FIG.1	54.10	52.32	63.50	---	35	310	2,3,5,6 - 13,12,10,9	---	17.41	28.49	39.57	63.31
T18011	V / FIG.2	62.23	54.61	62.23	---	38	383	4 - 11	---	15.67	25.64	35.61	56.98
T18028	V / FIG.3	54.86	52.32	63.50	---	40	383	12,10,9 - 3,5,6	---	15.67	25.64	35.61	56.98
T18036	V / FIG.4	58.42	53.34	63.50	---	120	675	2 - 4	---	11.90	19.47	27.05	43.27
T18016	V / FIG.5	57.00	52.50	63.50	---	114	693	4,3 - 1,2	---	11.61	18.99	26.38	42.21
T18015	V / FIG.5	57.00	52.50	63.50	---	118	828	4,3 - 1,2	---	10.68	17.48	24.28	38.85

\*Contact FALCO for detailed specifications for P dimension

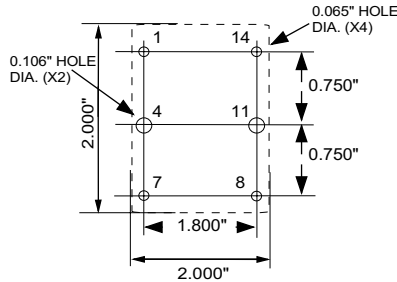
1. AMBIENT TEMPERATURE TEST AT 25°C
2. TEST AT 20KHz and 0.25V. MINIMUM INDUCTANCE.

**PCB LAYOUT SPECIFICATIONS**

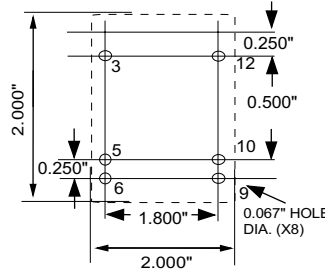
**SUGGESTED PCB Layout (Top)**



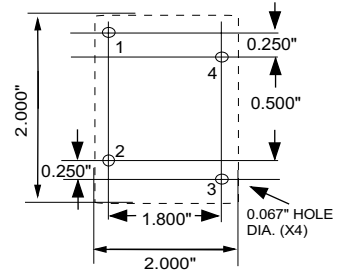
**Figure 1**



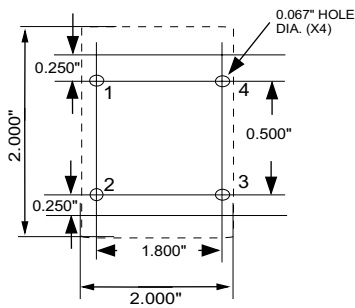
**Figure 2**



**Figure 3**



**Figure 4**



**Figure 5**