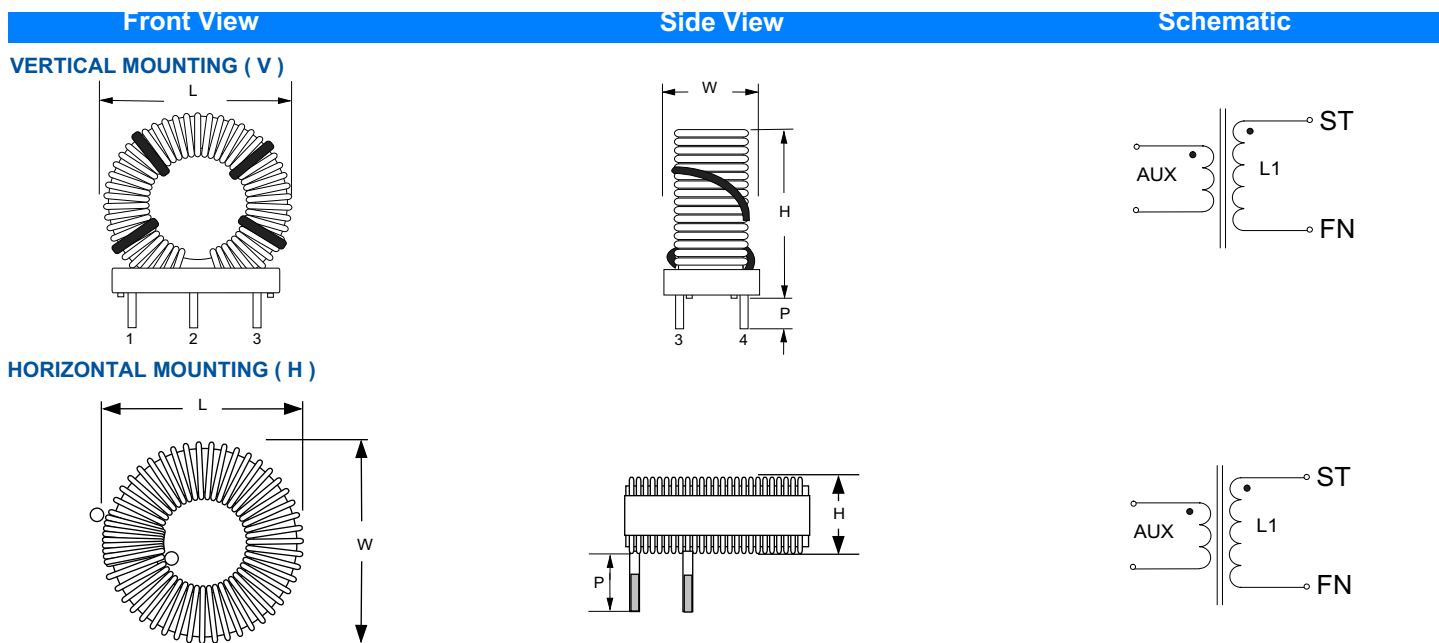


[T18-60X4 Series]



- Designed for use in off-line AC/DC pre-regulators circuits for switching power converters applications.
- Low cores loss and high flux density.
- Auxiliary winding optional.

MECHANICAL SPECIFICATIONS



ELECTRICAL SPECIFICATIONS

FPN	Mounting / PCB LAYOUT	L (mm) max.	W (mm) max.	H (mm) max.	Auxiliary Winding / L Ratio	DCR(m Ω) ¹ max.	L (μH) ^{1,2}	L1 ST - FN	AUX ST - FN	I@ 80%L (A DC)	I@ 65%L (A DC)	I@ 50%L (A DC)	I@ 30%L (A DC)
T18044	H / FIG.1	60.96	60.96	81.28	---	35	279	1 - 2	---	14.24	23.15	32.05	53.42

*Contact FALCO for detailed specifications for P dimension.

PCB LAYOUT SPECIFICATIONS

SUGGESTED PCB Layout (Top)

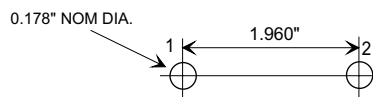


Figure 1

1. AMBIENT TEMPERATURE TEST AT 25°C
2. TEST AT 20KHz and 0.25V. MINIMUM INDUCTANCE.