

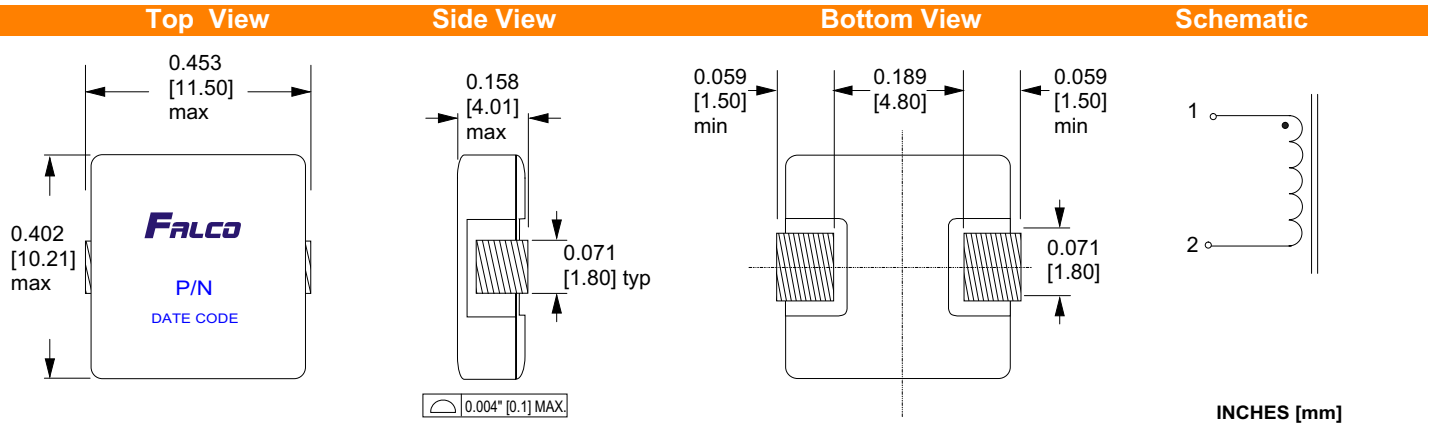
Power Inductors Shielded-SMT E-I 10 x 10 mm Heli-Coil POWER INDUCTORS (HC1035 Series)



MAX. DIM :
L = 11.50 mm
W= 10.21 mm
H = 4.01 mm

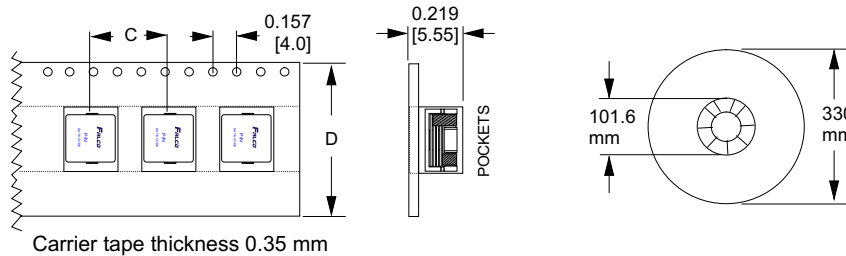
- Use in high frequency DC/DC converters and VRMs.
- Magnetically shielded for low EMI radiation.
- Current rating up to 15 Amps.
- High energy storage and DC current capability.
- Constructed with materials rated 155°C.
- Good inductance stability vs temperature.
- Energy storage limit of 250 μJ.
- Tape and Reel : 500 pcs/Reel, 5 Reels/Box.

MECHANICAL SPECIFICATIONS



Packaging Information

Tape & Reel



ITEM	DESCRIPTION	QTY.
A	QTY. PER REEL	500
B	QTY PER BOX	2500
C	PITCH	16mm
D	TAPE WIDTH	24mm

See tape and reel information 63-014

ELECTRICAL SPECIFICATIONS

Falco Part Number	Inductance (μH)	Saturation Current (A)	Rated Current (A)	DC Resistance (mΩ)
	L_i (at 25°C) ¹	10% Rolloff (at 25°C) ²	T= 40°C ³	(at 25°C)
HC1010	0.55 ± 25%	21.0	15.0	1.60 ± 10%

- L_i = Initial inductance tested at 100 KHz 0.25 V & 0 ADC.
- I_{SAT} = DC current value at which L_i decreases to 90% typ.
- The DC current value at which T of coil rises 40°C typ. over 25°C ambient.
- Operating Temp. range -40°C to +125°C.
- Storage Temperature Range -40°C to +85°C

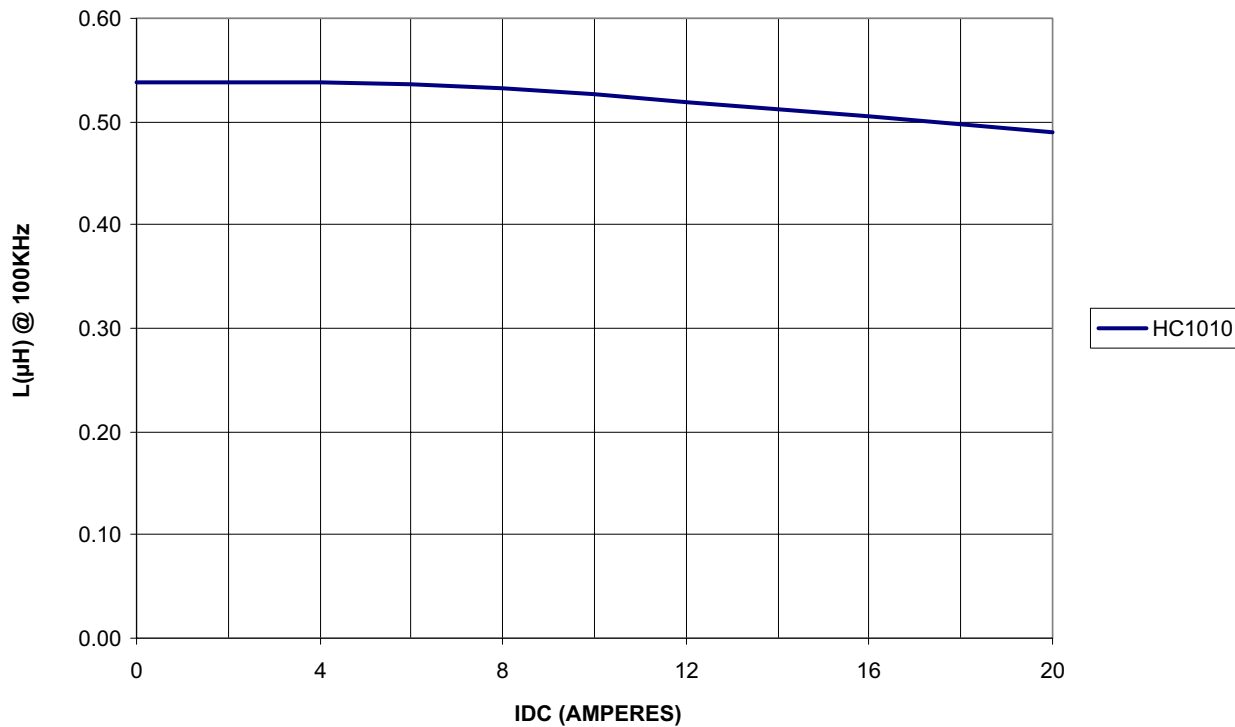
Power Inductors Shielded-SMT E-I 10 x 10 mm Heli-Coil

(HC1035 Series)

Inductance and Temperature Rise vs Current



INDUCTANCE vs CURRENT



TEMPERATURE RISE vs CURRENT

