

# Power Inductors Shielded THT - EE 13 x 13 mm (HW13 Series)

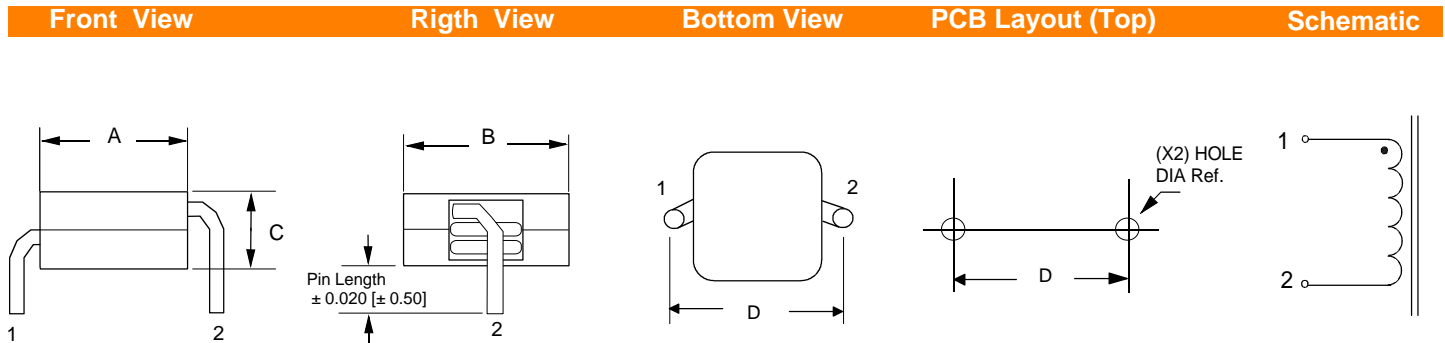
POWER INDUCTORS



**MAX. DIM :**  
**L = 13.21 mm**  
**W = 13.21 mm**  
**H = 10.00 mm**

- For use in high frequency DC/DC converters.
- Low radiation.
- Low core loss
- Current handling up to 41 Amps.
- Energy storage of 270  $\mu$ J.

## MECHANICAL SPECIFICATIONS



INCHES [mm]

## ELECTRICAL SPECIFICATIONS

FALCO PART NUMBER	RoHS PART NUMBER	OCL( $\mu$ H) <sup>1</sup>	TOL	DCR (W max)	I rating <sup>2</sup> (Amp)	A max. in / mm	B max. in / mm	C max. in / mm	D Ref. in / mm	Pin Length in / mm	Hole Dia. in / mm
	HW1305	0.32	$\pm 15\%$	0.00088	30.00	0.520 / 13.21	0.520 / 13.21	0.394 / 10.00	0.492 / 12.50	0.138 / 3.50	0.079 / 2.00
	HW1301	0.32	$\pm 20\%$	0.00050	41.00	0.520 / 13.21	0.520 / 13.21	0.335 / 8.50	0.492 / 12.50	0.138 / 3.50	0.085 / 2.16
	HW1302	0.50	$\pm 15\%$	0.00072	30.00	0.520 / 13.21	0.520 / 13.21	0.394 / 10.00	0.630 / 16.00	0.138 / 3.50	0.079 / 2.00
	HW1303	0.50	$\pm 15\%$	0.00088	30.00	0.520 / 13.21	0.520 / 13.21	0.394 / 10.00	0.492 / 12.50	0.138 / 3.50	0.079 / 2.00



RoHS COMPLIANT PRODUCT

1. Inductance tested at 100 KHz 0.25 V.  
 2. Temperature rise is 40°C Typ.  
 3. Operating Temp. range -40°C to +105°C.

Inductance vs Current



INDUCTANCE vs CURRENT

