

Power Inductors Unshielded-SMT Drum 8 x 10 mm

POWER INDUCTORS



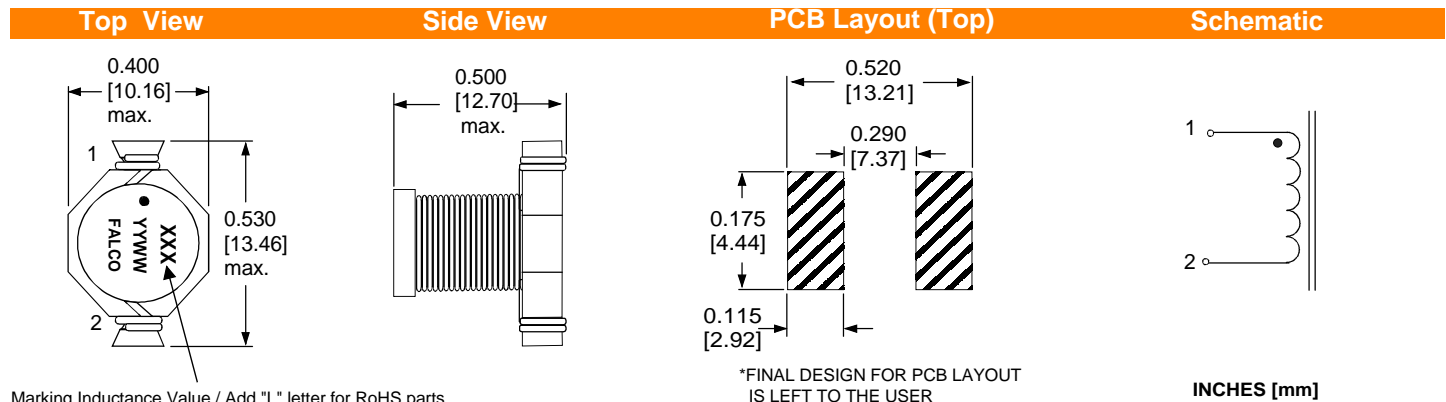
(SDIP0811 Series)



MAX. DIM :
L = 13.46 mm
W = 10.16 mm
H = 12.70 mm

- Use in high frequency DC/DC converters.
- Robust base for reflow soldering.
- Current rating up to 11 Amps.
- Open construction provides stable inductance for increasing currents.
- Inductance range from 1.5 μH to 68 μH
- Energy storage limit 400 μJ .
- Tape & Reel : 300 pcs/Reel, 5 Reels/Box.

MECHANICAL SPECIFICATIONS



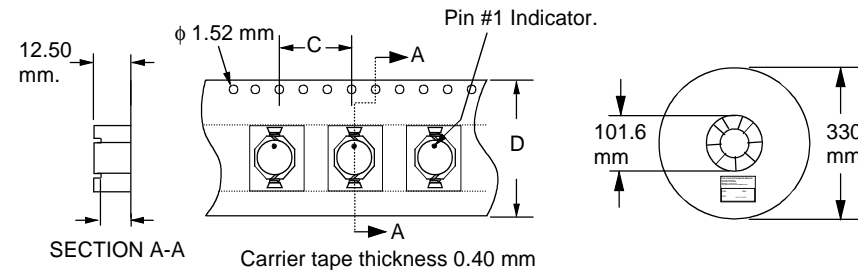
Marking Inductance Value / Add "L" letter for RoHS parts

*FINAL DESIGN FOR PCB LAYOUT IS LEFT TO THE USER

INCHES [mm]

Packaging Information

Tape & Reel



ITEM	DESCRIPTION	QTY.
A	QTY. PEER REEL	300
B	QTY.BOX	1500
C	PITCH	16 mm
D	TAPE WIDTH	24 mm

See tape and reel information 63-003

ELECTRICAL SPECIFICATIONS

FALCO PART NUMBER	RoHS PART NUMBER	OCL(μH) ¹ $\pm 20\%$	DCR (Ω max)	I rating ² (Amp)	I sat ³ (Amp)
D08046	D08L46	1.5	0.0065	11.0	20.0
D08055	D08L55	2.2	0.0072	13.0	23.0
D08025	D08L25	3.5	0.0096	11.0	18.0
D08045		4.7	0.0120	10.0	12.0
D08026	D08L26	6.9	0.0120	9.0	11.5
D08007		7.8	0.0138	9.0	11.0
D08027	D08L27	10	0.0199	6.5	10.1
D08030	D08L30	68	0.1300	2.4	4.4

1. Inductance tested at 10 KHz 0.25 V.
2. Temperature rise is 40°C Typ.
3. Inductance drop 10% Typ. at Isat.
4. Operating Temp. range -40° to +85°C.
5. OCL and DCR tested at Ta= 25°C.



RoHS COMPLIANT PRODUCT

