

# Power Inductors Shielded - THT Toroidal 11 mm

POWER INDUCTORS

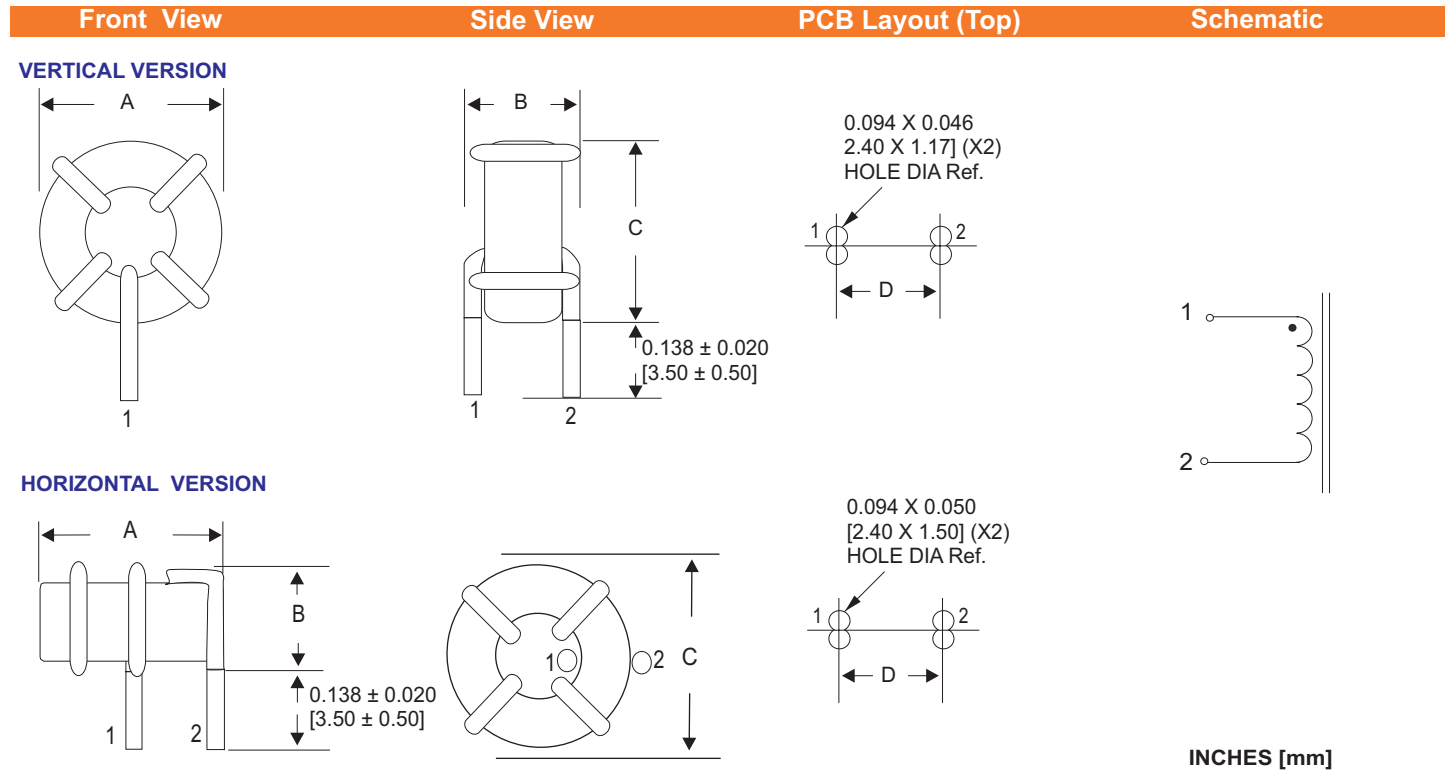
[ T4470HT Series ]



**MAX. DIM :**  
**L = 15.00mm**  
**W = 7.62 mm**  
**H = 13.97mm**

- For use in high frequency DC/DC converters.
- High operating temperature rise and low thermal aging.
- Low core loss
- Current handling up to 15 Amps.
- Energy storage of 256  $\mu$ J.

## MECHANICAL SPECIFICATIONS



## ELECTRICAL SPECIFICATIONS

### VERTICAL VERSION

RoHS PART NUMBER	OCL( $\mu$ H) <sup>1</sup>	TOL	Freq. (KHz)	DCR ( $\Omega$ max)	I rating <sup>2</sup> (Amp)	A max. in / mm	B max. in / mm	C max. in / mm	D Ref. in / mm
T04452	2.28	± 15%	300	0.0024	15.00	0.590 / 15.00	0.300 / 7.62	0.550 / 13.97	0.250 / 6.35

### HORIZONTAL VERSION

RoHS PART NUMBER	OCL( $\mu$ H) <sup>1</sup>	TOL	Freq. (KHz)	DCR ( $\Omega$ max)	I rating <sup>2</sup> (Amp)	A max. in / mm	B max. in / mm	C max. in / mm	D Ref. in / mm
T04473	2.97	± 15%	100	0.0026	13.80	0.620 / 15.75	0.325 / 8.26	0.620 / 15.75	0.230 / 5.84

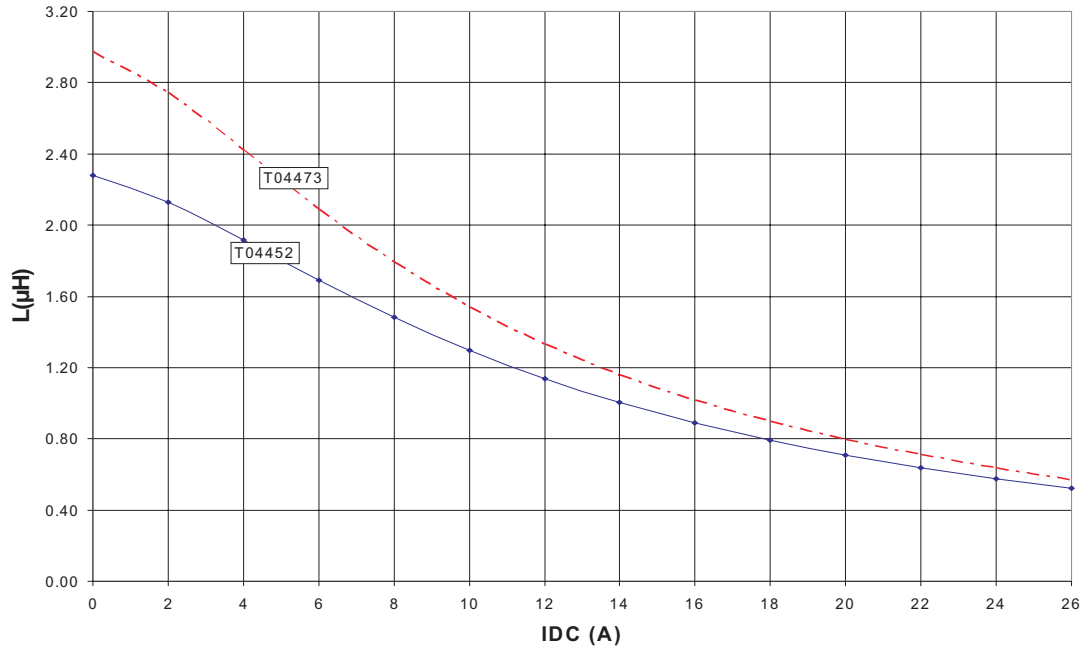
\* Parts are bifilar wound

1. Inductance tested at 0.25 V.
2. Temperature rise is 40°C Typ.
3. Operating Temp. range -20°C to +125°C.



RoHS COMPLIANT PRODUCT

#### INDUCTANCE vs CURRENT



#### TYPICAL TEMPERATURE RISE vs CURRENT

