

Power Inductors Shielded - THT Toroidal 11 mm

POWER INDUCTORS

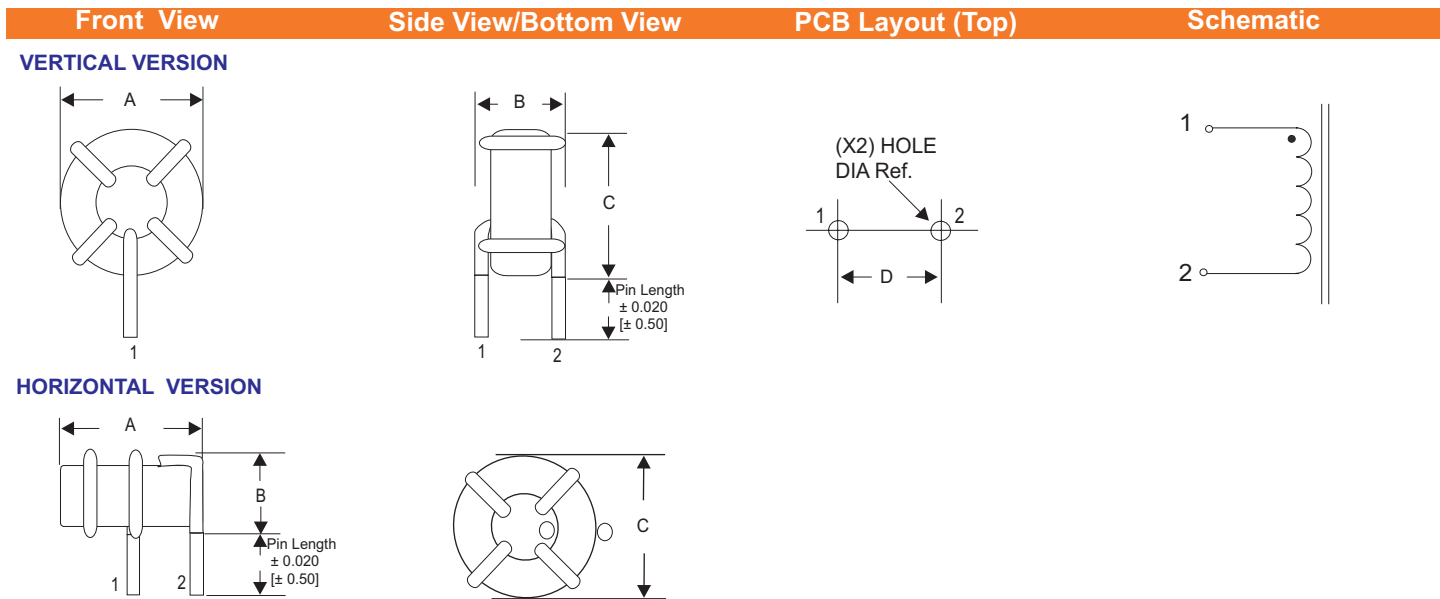
(TTIB1104 Series)



MAX. DIM :
L = 16.51 mm
W= 8.89 mm
H = 15.24 mm

- For use in high frequency DC/DC converters.
- Low radiation.
- Low core loss
- Current handling up to 25 Amps.
- Vertical and horizontal mounting versions available.
- Energy storage of 185 μ J.

MECHANICAL SPECIFICATIONS



T04415, T04424, T04L24, T04423, T04L23 & T04418 PIN TOL. ± 0.030 [± 0.76 mm]

INCHES [mm]

ELECTRICAL SPECIFICATIONS

VERTICAL VERSION

FALCO PART NUMBER	RoHS PART NUMBER	OCL (μ H) ¹	TOL	FREQ. (KHz)	DCR (Ω max.)	I rating ² (Amp)	A max. in / mm	B max. in / mm	C max. in / mm	D Ref. in / mm	Pin Length in / mm	Hole Dia. in / mm
	T04432*	0.50 $\pm 20\%$		100	0.0016	25.00	0.570 / 14.50	0.300 / 7.62	0.530 / 13.46	0.236 / 6.00	0.138 / 3.50	0.075 / 1.90
	T04483	0.50 $\pm 20\%$		300	0.0028	20.00	0.563 / 14.30	0.315 / 8.00	0.563 / 14.30	0.224 / 5.70	0.138 / 3.50	0.078 / 1.98
T04434	T04L34	1.15 $\pm 20\%$		100	0.0028	15.00	0.650 / 16.51	0.350 / 8.89	0.600 / 15.24	0.250 / 6.35	0.150 / 3.81	0.055 / 1.40
T04415***		1.46 $\pm 15\%$		100	0.0040	14.40	0.610 / 15.49	0.320 / 8.13	0.575 / 14.61	0.230 / 5.84	0.250 / 6.35	0.052 / 1.32
	T04L15***	1.46 $\pm 15\%$		100	0.0040	14.40	0.610 / 15.49	0.320 / 8.13	0.575 / 14.61	0.230 / 5.84	0.138 / 3.50	0.052 / 1.32
T04423		1.80 $\pm 15\%$		100	0.0039	14.30	0.610 / 15.49	0.320 / 8.13	0.565 / 14.35	0.230 / 5.84	0.250 / 6.35	0.052 / 1.32
	T04L23	1.80 $\pm 15\%$		100	0.0039	14.30	0.610 / 15.49	0.320 / 8.13	0.565 / 14.35	0.230 / 5.84	0.118 / 3.00	0.052 / 1.32
T04424	T04L24	2.18 $\pm 15\%$		100	0.0051	14.00	0.610 / 15.49	0.320 / 8.13	0.565 / 14.35	0.230 / 5.84	0.250 / 6.35	0.052 / 1.32
T04428		4.00 $\pm 15\%$		10	0.0102	10.00	0.590 / 14.97	0.300 / 7.62	0.550 / 13.97	0.220 / 5.59	0.250 / 6.35	0.045 / 1.14
	T04L28	4.00 $\pm 15\%$		10	0.0102	10.00	0.590 / 14.97	0.300 / 7.62	0.550 / 13.97	0.220 / 5.59	0.138 / 3.50	0.045 / 1.14
T04418**		5.20 $\pm 15\%$		100	0.0150	6.80	0.590 / 14.97	0.320 / 8.13	0.550 / 13.97	0.220 / 5.59	0.250 / 6.35	0.040 / 1.01
T04421**	T04L21*	5.83 $\pm 20\%$		10	0.0156	8.00	0.590 / 15.00	0.335 / 8.50	0.550 / 13.97	0.236 / 5.99	0.138 / 3.50	0.040 / 1.01

T04432 is trifilar wound.
 T04483 is bifilar wound.

HORIZONTAL VERSION

FALCO PART NUMBER	RoHS PART NUMBER	OCL (μ H) ¹	TOL	FREQ. (KHz)	DCR (Ω max.)	I rating ² (Amp)	A max. in / mm	B max. in / mm	C max. in / mm	D Ref. in / mm	Pin Length in / mm	Hole Dia. in / mm
	T04H23	1.80 $\pm 15\%$		100	0.0039	14.30	0.625 / 15.88	0.300 / 7.62	0.625 / 15.88	0.200 / 5.08	0.134 / 3.40	0.052 / 1.32

1. Inductance tested at 0.25 V.
2. Temperature rise is 40°C Typ, * $\Delta T=45^\circ\text{C}$, ** $\Delta T=50^\circ\text{C}$, *** $\Delta T=55^\circ\text{C}$
3. Operating Temp. range -40° to $+105^\circ\text{C}$.



RoHS COMPLIANT PRODUCT

Power Inductors Shielded - THT Toroidal 11 mm (TTIB1104 Series)

Inductance vs Current

