

# Power Inductors Shielded - THT Square 13 x 13 mm

POWER INDUCTORS



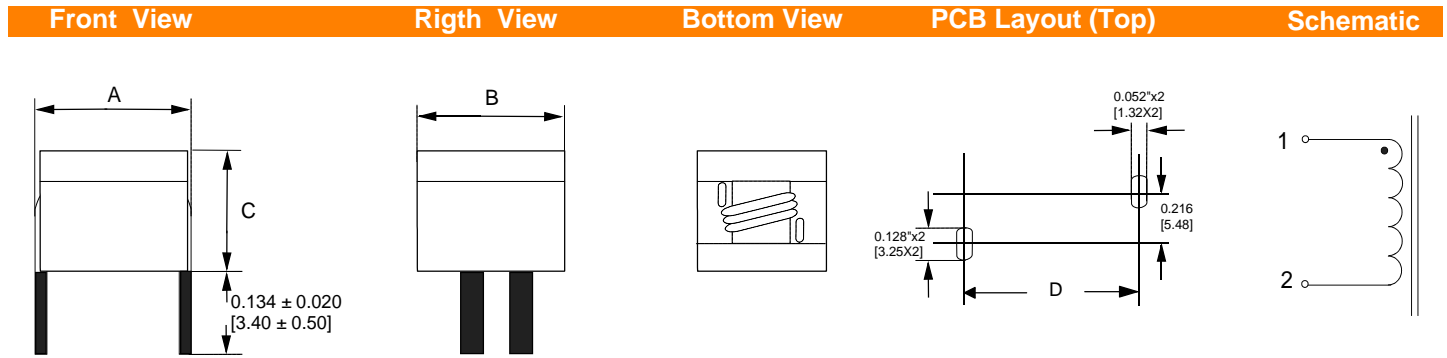
(SPB1310 Series)



**MAX. DIM :**  
**L = 14.00 mm**  
**W = 14.00 mm**  
**H = 10.00 mm**

- For use in high frequency DC/DC converters.
- Low radiation.
- Low core loss
- Current handling up to 35 Amps.
- Energy storage of 400  $\mu$ J.

## MECHANICAL SPECIFICATIONS



INCHES [mm]

## ELECTRICAL SPECIFICATIONS

FALCO PART NUMBER	RoHS PART NUMBER	OCL( $\mu$ H) <sup>1</sup>	TOL	DCR (W max)	I rating <sup>2</sup> (Amp)	A max. in / mm	B max. in / mm	C max. in / mm	D Ref. in / mm
SB1302	SB13L2	0.50	$\pm 20\%$	0.0008	35.00	0.551 / 14.00	0.551 / 14.00	0.394 / 10.00	0.452 / 11.48



RoHS COMPLIANT PRODUCT

1. Inductance tested at 100 KHz 0.25 V.  
 2. Temperature rise is 40°C Typ.  
 3. Operating Temp. range -40°C to +85°C.

INDUCTANCE vs CURRENT

